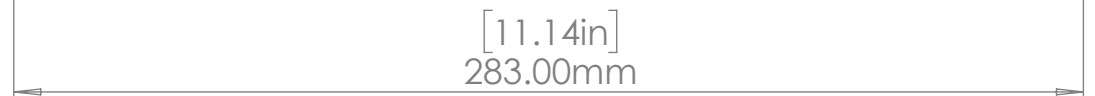
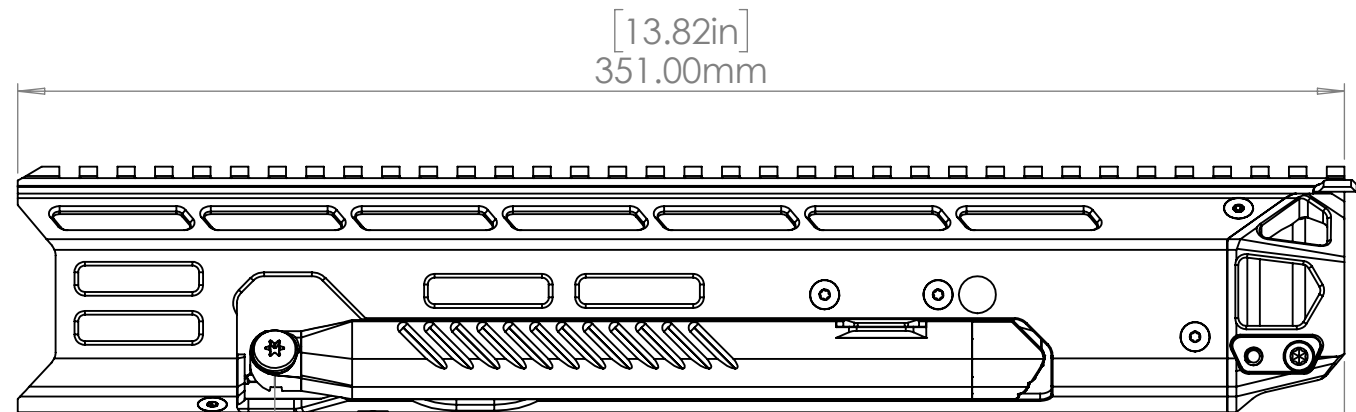
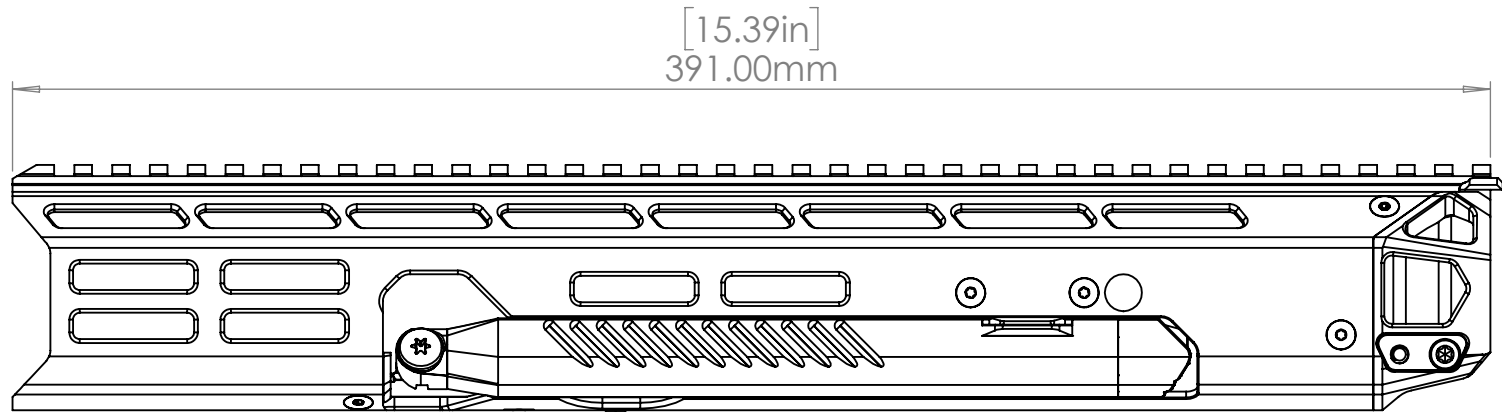
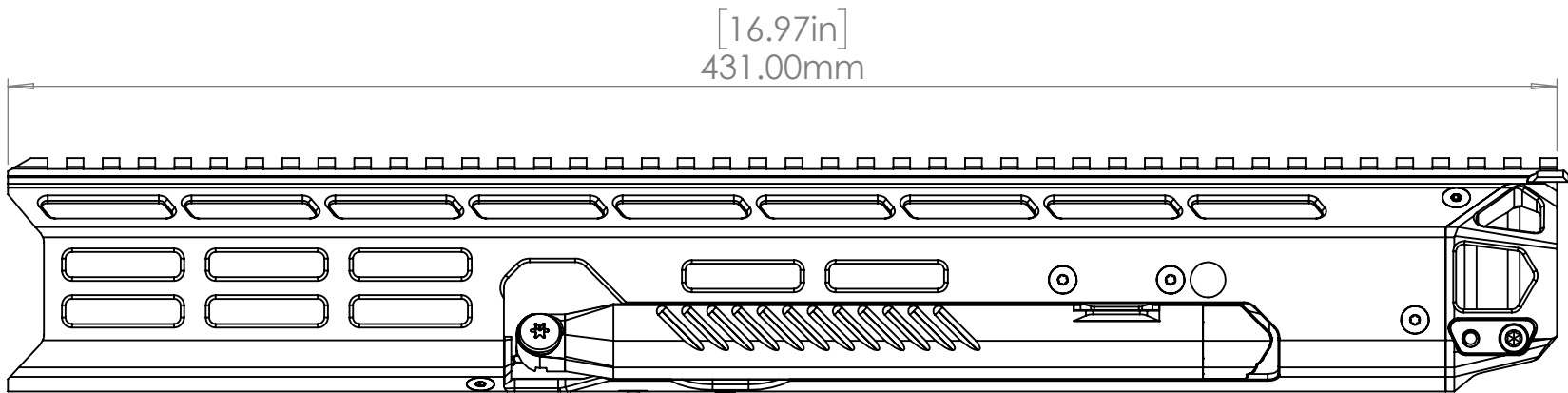


4

3

2

1



B

B

A

A

4

3

2

1

PROPRIETARY AND CONFIDENTIAL
 THE INFORMATION CONTAINED IN THIS
 DRAWING IS THE SOLE PROPERTY OF
 BLK LBL CORP. ANY
 REPRODUCTION IN PART OR AS A WHOLE
 WITHOUT THE WRITTEN PERMISSION OF
 BLK LBL CORP. IS PROHIBITED.

		UNLESS OTHERWISE SPECIFIED:		NAME	DATE
		DIMENSIONS ARE IN MILLIMETERS		DRAWN	02/14/23
		TOLERANCES:		CHECKED	
		ANGULAR: ± 0.1		ENG APPR.	
		LINEAR:		MFG APPR.	
		X ±0.1		Q.A.	
		X.X ±0.075		COMMENTS:	
		X.XX ±0.05			
		INTERPRET GEOMETRIC			
		TOLERANCING PER:			
		MATERIAL			
NEXT ASSY	USED ON	FINISH			
APPLICATION		DO NOT SCALE DRAWING			

BLK LBL

TITLE: **OVERALL LENGTHS**

SIZE DWG. NO. REV

SCALE: 1:2 SHEET 1 OF 4

4

3

2

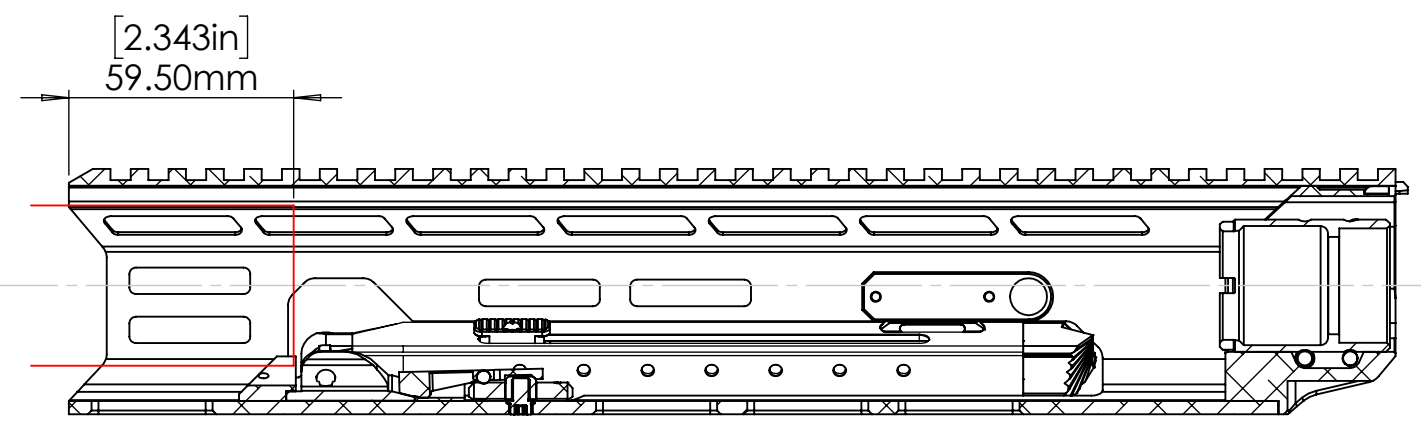
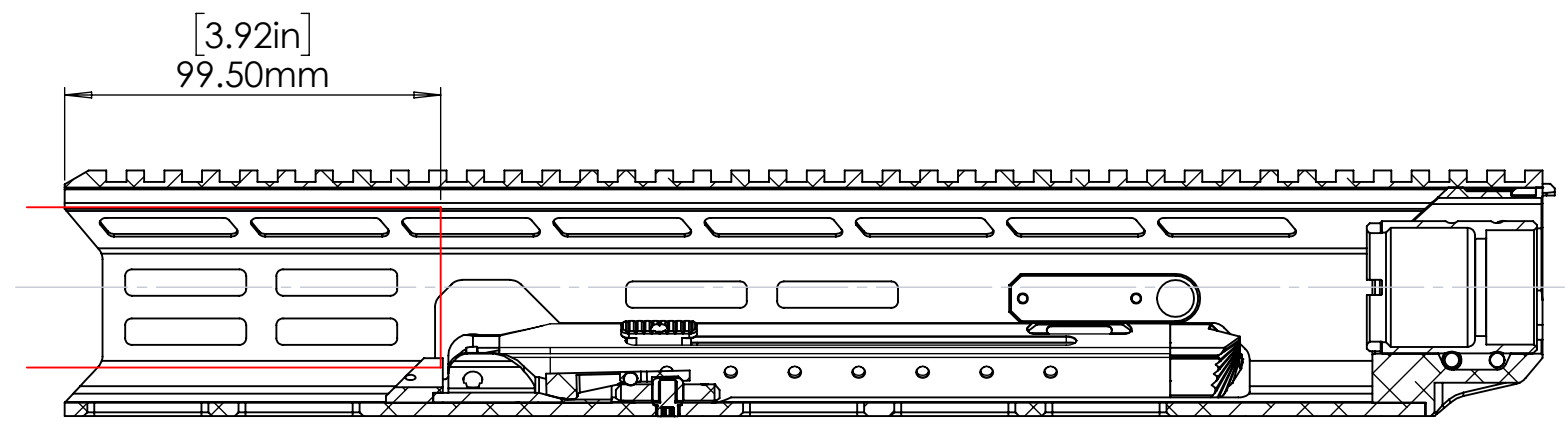
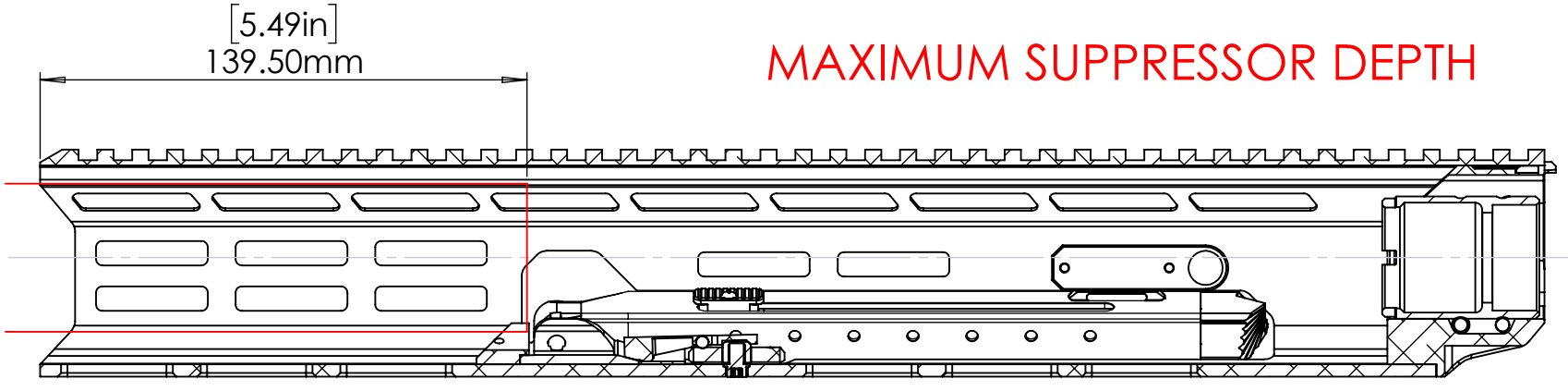
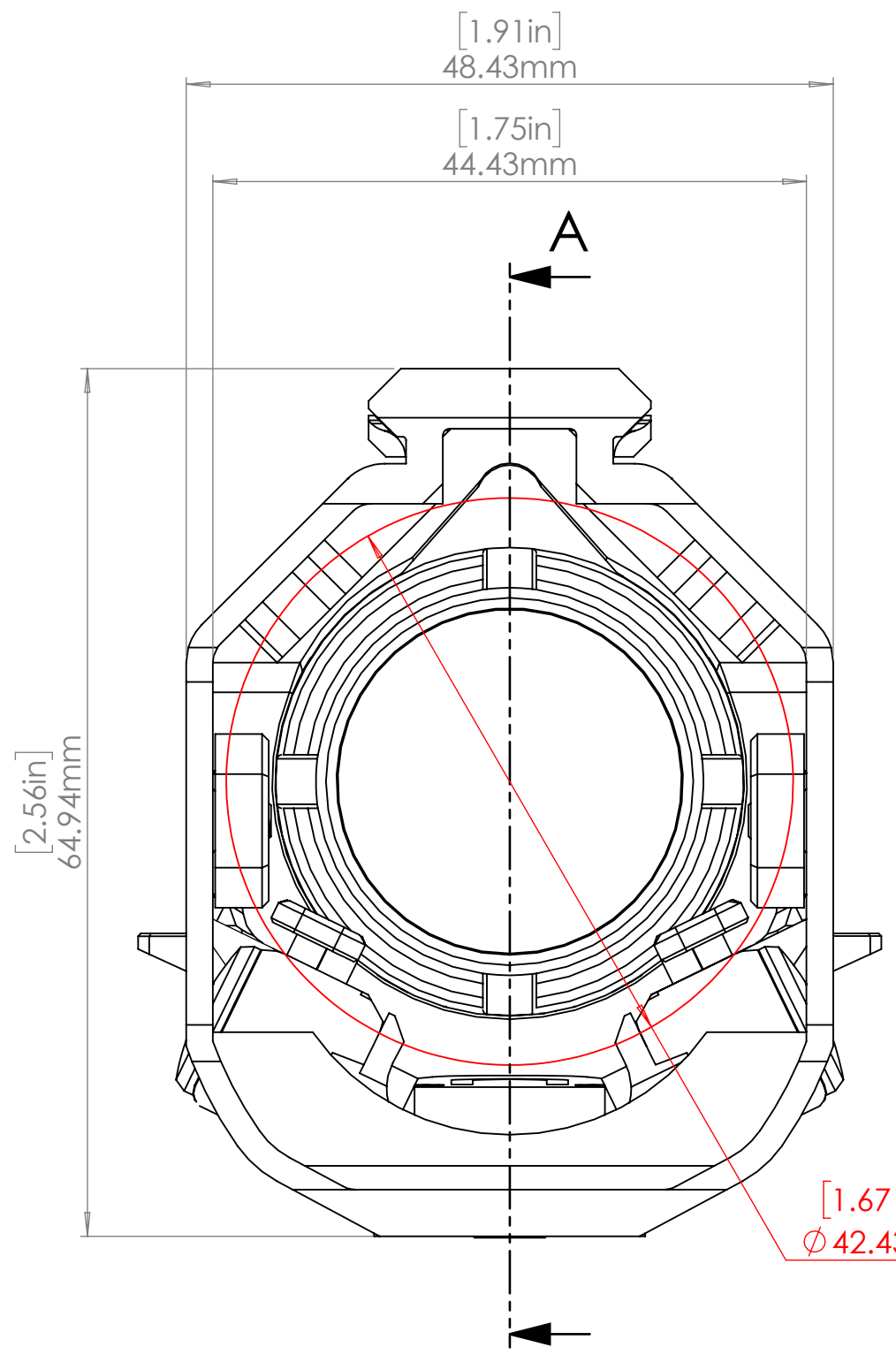
1

B

B

A

A



MAXIMUM SUPPRESSOR DIAMETER

PROPRIETARY AND CONFIDENTIAL
THE INFORMATION CONTAINED IN THIS
DRAWING IS THE SOLE PROPERTY OF
BLK LBL CORP. ANY
REPRODUCTION IN PART OR AS A WHOLE
WITHOUT THE WRITTEN PERMISSION OF
BLK LBL CORP. IS PROHIBITED.

		UNLESS OTHERWISE SPECIFIED: DIMENSIONS ARE IN MILLIMETERS TOLERANCES: ANGULAR: ± 0.1 LINEAR: X ±0.1 X.X ±0.075 X.XX ±0.05	DRAWN	NAME	DATE	BLK LBL
		INTERPRET GEOMETRIC TOLERANCING PER:	CHECKED		02/14/23	
		MATERIAL	ENG APPR.			
		FINISH	MFG APPR.			
			Q.A.			
NEXT ASSY	USED ON		COMMENTS:			TITLE: SUPPRESSOR CLEARANCE
APPLICATION		DO NOT SCALE DRAWING	SIZE		DWG. NO.	REV
			SCALE: 1:2		SHEET 2 OF 4	

4

3

2

1

4

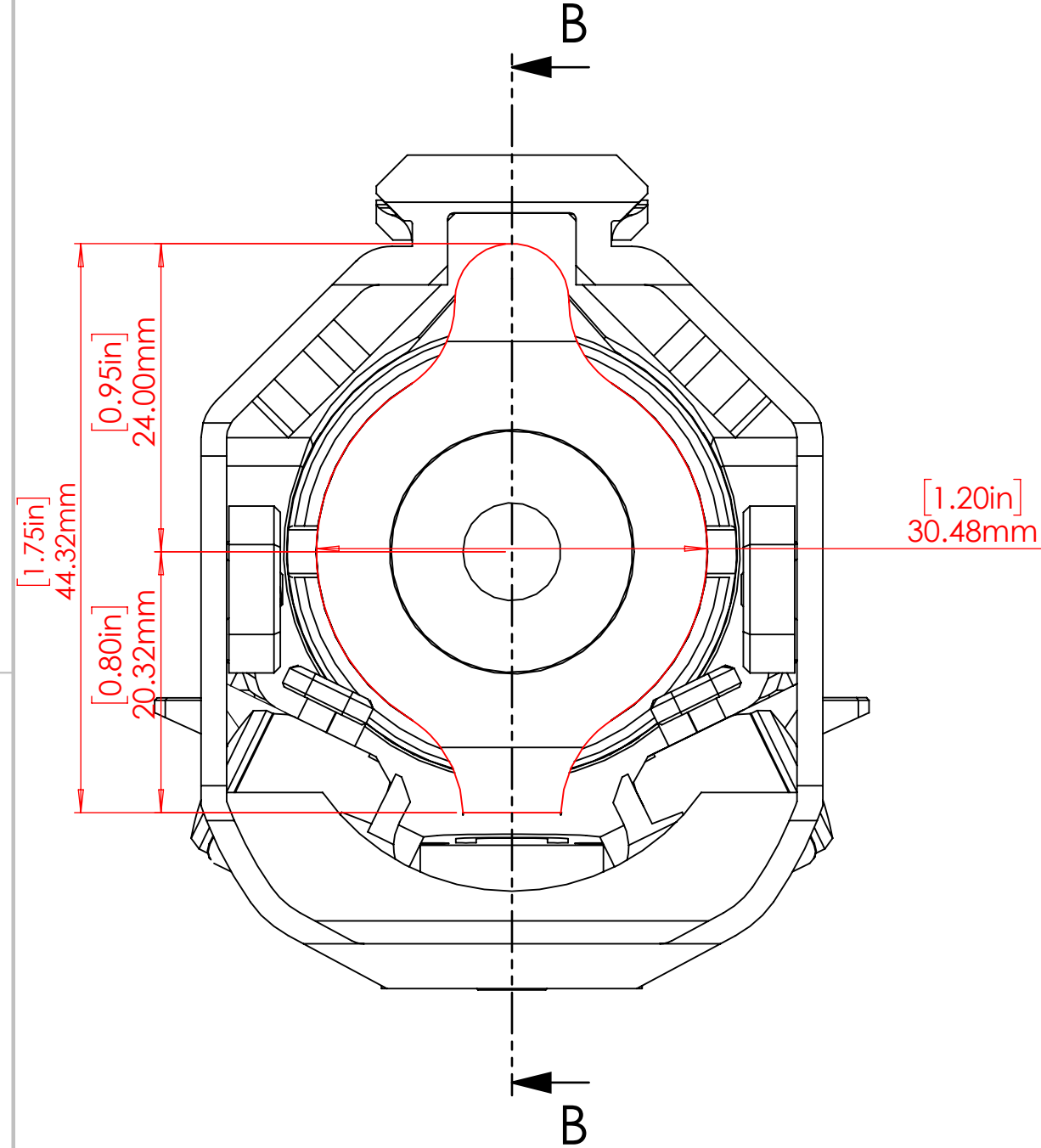
3

2

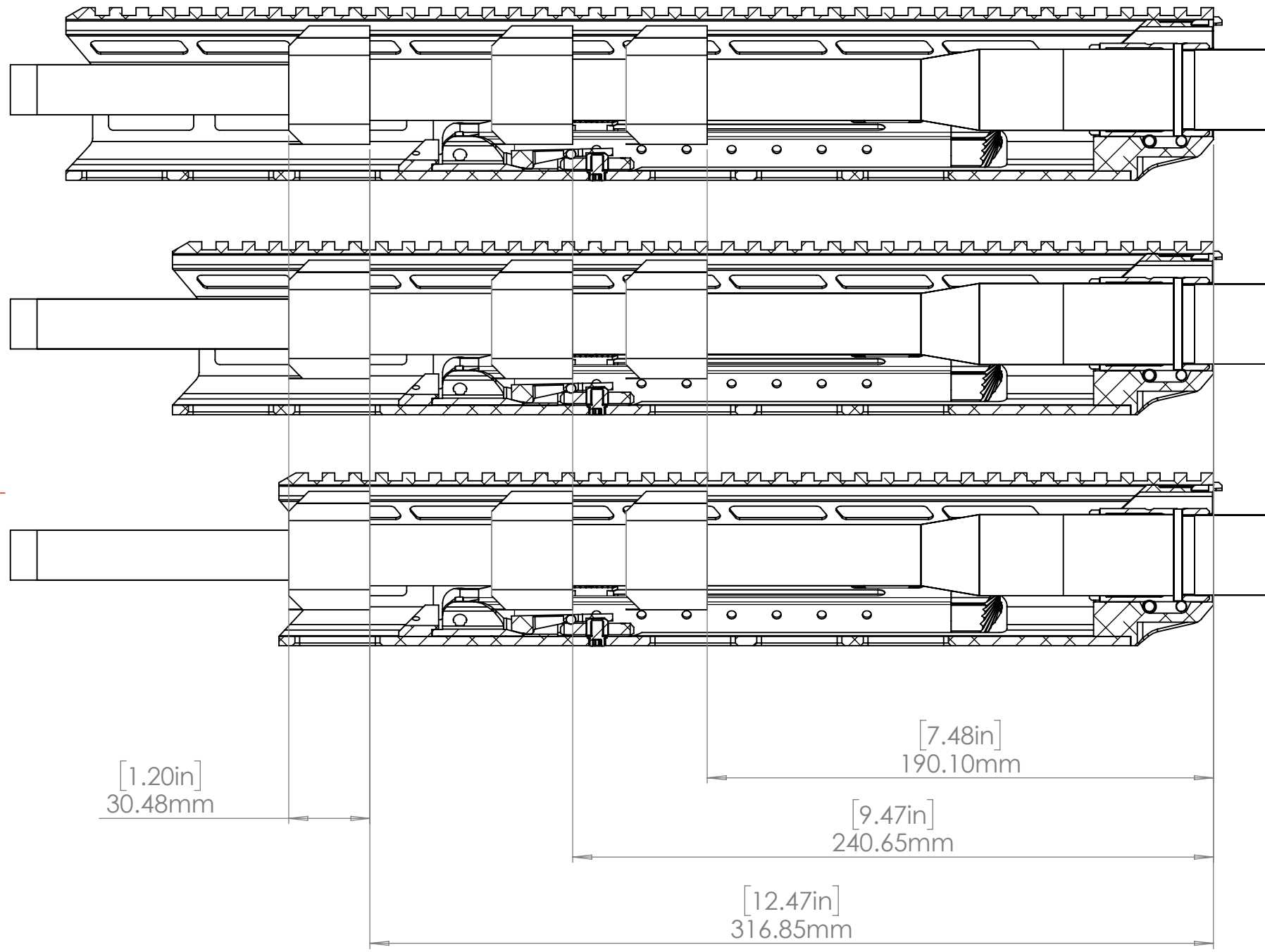
1

B

B



MAXIMUM GAS BLOCK SIZE



A

4

3

2

1

A

PROPRIETARY AND CONFIDENTIAL
 THE INFORMATION CONTAINED IN THIS
 DRAWING IS THE SOLE PROPERTY OF
 BLK LBL CORP. ANY
 REPRODUCTION IN PART OR AS A WHOLE
 WITHOUT THE WRITTEN PERMISSION OF
 BLK LBL CORP. IS PROHIBITED.

		UNLESS OTHERWISE SPECIFIED:		NAME	DATE
		DIMENSIONS ARE IN MILLIMETERS		DRAWN	02/14/23
		TOLERANCES:		CHECKED	
		ANGULAR: ± 0.1		ENG APPR.	
		LINEAR:		MFG APPR.	
		X ±0.1		Q.A.	
		X.X ±0.075		COMMENTS:	
		X.XX ±0.05			
		INTERPRET GEOMETRIC			
		TOLERANCING PER:			
		MATERIAL			
NEXT ASSY	USED ON	FINISH			
APPLICATION		DO NOT SCALE DRAWING			

BLK LBL

TITLE: GAS BLOCK LOCATIONS

SIZE	DWG. NO.	REV
------	----------	-----

SCALE: 1:2	SHEET 3 OF 4
------------	--------------

4

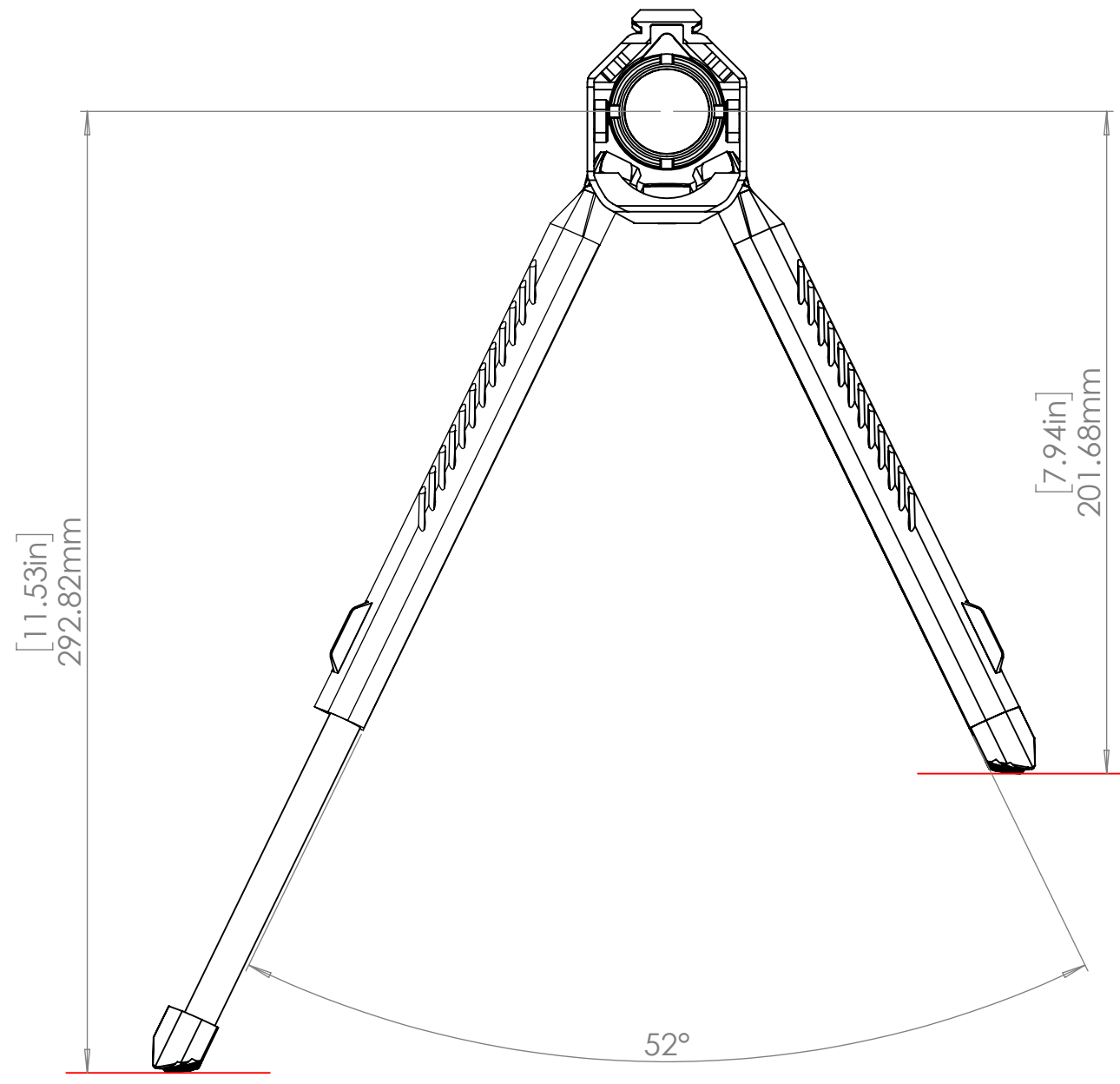
3

2

1

B

B



A

A

PROPRIETARY AND CONFIDENTIAL
 THE INFORMATION CONTAINED IN THIS
 DRAWING IS THE SOLE PROPERTY OF
 BLK LBL CORP. ANY
 REPRODUCTION IN PART OR AS A WHOLE
 WITHOUT THE WRITTEN PERMISSION OF
 BLK LBL CORP. IS PROHIBITED.

		UNLESS OTHERWISE SPECIFIED:	NAME	DATE	BLK LBL
		DIMENSIONS ARE IN MILLIMETERS	DRAWN	02/14/23	
		TOLERANCES:	CHECKED		TITLE:
		ANGULAR: ± 0.1	ENG APPR.		DEPLOYED LEGS MEASUREMENTS
		LINEAR:	MFG APPR.		SIZE DWG. NO. REV
		X ±0.1	Q.A.		
		X.X ±0.075	COMMENTS:		
		X.XX ±0.05			
		INTERPRET GEOMETRIC TOLERANCING PER:			
		MATERIAL			
NEXT ASSY	USED ON	FINISH			
APPLICATION		DO NOT SCALE DRAWING			SCALE: 1:2 SHEET 4 OF 4

4

3

2

1